

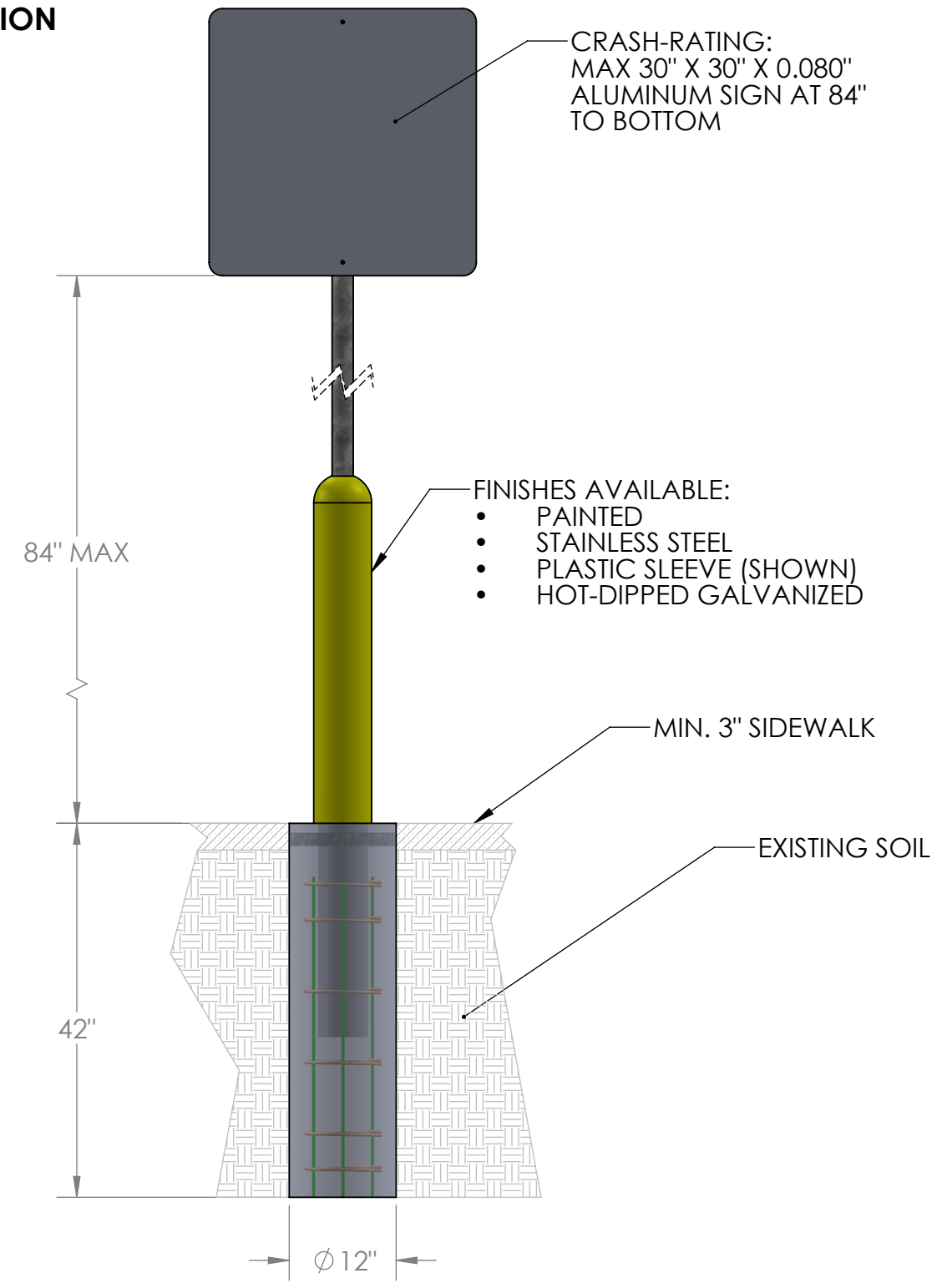
4

3

2

1

**FIXED BOLLARD OPTION WITH SIGN**




**TRAFFICGUARD® CORE-IN PROTECTION SYSTEM**  
ASTM F3016 S10 - 5 IN. BOLLARD WITH SIGN

ALL MATERIALS, WITH THE EXCEPTION OF CONCRETE AND SIGN, REQUIRED FOR INSTALLATION ARE PROVIDED BY TRAFFICGUARD® FOR EACH INSTALLATION.

ALL STEEL PARTS PROVIDED ARE HOT-DIPPED GALVANIZED PER ASTM A123.

US PATENT 8,297,873; 11,124,934; AND PATENTS PENDING.

		<b>TrafficGuard®, Inc.</b> PO Box 201, Geneva IL 60134 www.trafficguard.net (877) 727-7347   sales@trafficguard.net	
TITLE: 5 in. S10 Fixed Post			
APPROVED BY: MSB		DATE: 12/29/2021	
SIZE <b>B</b>	DWG. NO. Cutsheet 5 in. S10 Fixed wSign	SHEET 1 OF 1 DO NOT SCALE DRAWING	WEIGHT: SCALE: 1:32

REV NO	DATE	BY	COMMENTS

**PROPRIETARY AND CONFIDENTIAL**  
THE INFORMATION CONTAINED IN THIS DRAWING IS THE SOLE PROPERTY OF TRAFFICGUARD®, INC. ANY REPRODUCTION IN PART OR AS A WHOLE WITHOUT THE WRITTEN PERMISSION OF TRAFFICGUARD®, INC. IS STRICTLY PROHIBITED.

4

3

2

1

B

B

A

A